

**LINK-BELT  
SPEEDER**

# HC-108A 40-Ton Zephyrcrane

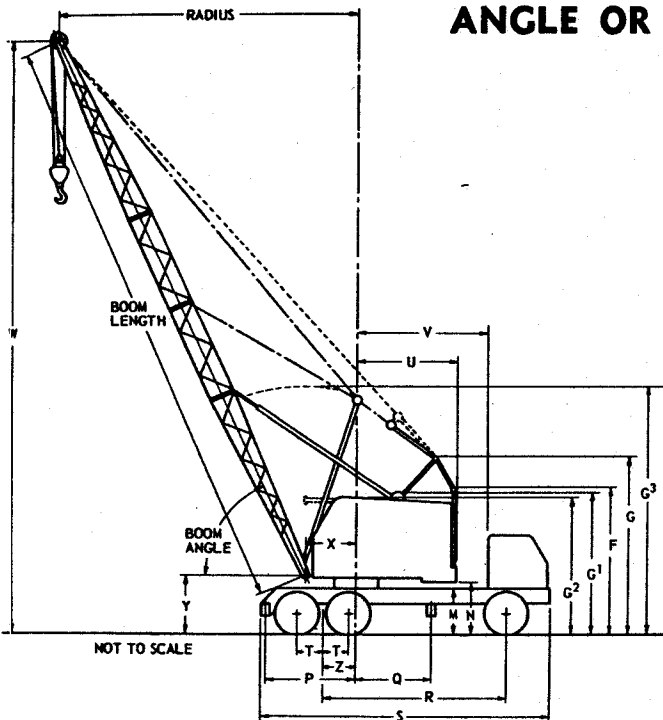
## Clearances - Working Ranges - Lifting Capacities

40 TON TRUCK MOUNTED CRANE (PCSA CLASS <sup>12</sup>40-241)

3-AXLE CARRIER

**ANGLE OR TUBULAR "HI-LITE" BOOM**

(Supersedes CRF5040-10-59)



**GENERAL INFORMATION ONLY**

NOTE: The dotted lines indicate the standard heavy duty retractable high gantry which is used with angle booms up to and including 100' and optional tubular "Hi-Lite" booms up to and including 130'. For tubular booms over 130', the "Hi-Lite" boom gantry and mid-point suspension cables are also required. The "Hi-Lite" boom gantry can also be furnished as optional with all tubular booms under 130'. (Reference to boom lengths is for main boom—use of optional 20', 30', 40' and 50' jibs with these boom lengths will not affect the recommendations.)

GENERAL DIMENSIONS		3-AXLE
Basic angle boom length		40'
Basic tubular "Hi-Lite" boom length		40'
Over-all height heavy duty retractable gantry lowered	F	13' 0"
Over-all height heavy duty retractable gantry raised	G	16' 4"
Over-all height low gantry(2)	G1	12' 6"
Over-all cab height	G2	12' 1"
Over-all cab width		8' 0"
Maximum height "Hi-Lite" boom gantry	G3	27' 5"
Minimum height "Hi-Lite" boom gantry with boom horizontal	G3	18' 6"
Over-all height top of ring gear plate	M	4' 6"
Ground clearance under counterweight	N	5' 0"
Centerline rotation to rear outrigger center	P	9' 0"
Centerline rotation to front outrigger center	Q	8' 11"
Truck wheelbase	R	18' 9"
Over-all length over rear outrigger box	S	28' 6"
Center of wheel to bogie pivot (rear)	T	2' 5"
Tailswing of counterweight	U	11' 5"
Centerline rotation to back of truck cab	V	13' 0"
Radius to boom hinge pin—angle boom	X	3' 2"
Radius to boom hinge pin—tubular "Hi-Lite" boom	X	4' 1"
Height of boom hinge pin—angle boom	Y	6' 10"
Height of boom hinge pin—tubular "Hi-Lite" boom	Y	5' 5"
Centerline rotation to rear axle bogie pivot	Z	3' 6"
Maximum over-all width—(over tires)		10' 3"
Maximum over-all width—(outriggers extended)		18' 6" ✓

### CARRIER BRIEF SPECIFICATIONS

Heavy duty all-welded frame; 14:00 x 20, 18-ply tires—dual tires on rear tandem axles, single tires on front axle; 6-wheel air brakes. Hydraulic power steering; 6 x 4 drive; 46'6" turning radius; planetary rear axle. Standard Engine—Waukesha 145GKB gasoline, 240 brake h.p. @ 2400 r.p.m. governed speed. 12 speeds forward, 3 reverse. Road speeds up to 27.6 m.p.h.

① See "Maximum Boom Lengths Machine Can Handle Without Assistance"—page 3.

② Low gantry available at a reduction in price for angle booms only up to and including 60'. Consult factory if capacities are required.

# LINK-BELT SPEEDER

Link-Belt Speeder Corp.  
Cedar Rapids, Iowa

Link-Belt Speeder (Canada), Ltd.  
Woodstock, Ontario

Printed in U.S.A.

Flysheet CRF5048-7-60

NB60-65 7-26-60

# HC-108A LIFTING CAPACITIES<sup>③</sup> WITH RETRACTABLE HIGH GANTRY<sup>④</sup>

## 3-AXLE CARRIER

### - ANGLE BOOM -

RECOMMENDED FOR LIFTING CRANE SERVICE ONLY

BOOM			W- Boom Point Height	WITH OUTRIGGERS		WITHOUT OUTRIGGERS		BOOM			W- Boom Point Height	WITH OUTRIGGERS		WITHOUT OUTRIGGERS	
Length	Radius	Angle		Side or Rear	Side	Rear	Length	Radius	Angle	Side or Rear		Side	Rear		
40'	10'	80°	46' 4"	80,000*	52,840	80,000*	80'	20'	78°	85' 2"	52,900*	19,390	29,760		
	12'	77°	45' 11"	80,000*	40,690	41,950		25'	74°	83' 11"	40,600*	14,270	22,100		
	15'	73°	45' 1"	72,000*	30,060	45,300		30'	70°	82' 3"	32,680*	11,040	17,340		
	20'	65°	43' 3"	54,500*	20,670	31,000		35'	67°	80' 5"	27,120*	8,830	14,090		
	25'	57°	40' 6"	42,200*	15,550	23,360		40'	63°	77' 11"	23,300	7,210	11,730		
	30'	48°	36' 7"	34,200*	12,320	18,600		45'	59°	75' 2"	19,630	5,970	9,930		
	35'	37°	31' 3"	28,600*	10,110	15,350		50'	54°	71' 10"	16,850	5,000	8,530		
40'	23°	22' 7"	24,330	8,490	12,990	55'	50°	67' 11"	14,670	4,220	7,390				
50'	12'	80°	56' 2"	80,000*	40,370	61,640	60'	45°	63' 3"	12,930	3,570	6,460			
	15'	76°	55' 6"	71,600*	29,740	44,990	65'	39°	57' 9"	11,490	3,030	5,680			
	20'	70°	54' 0"	54,100*	20,350	30,690	70'	33°	50' 11"	10,290	2,570	5,010			
	25'	64°	51' 11"	41,800*	15,230	23,040	75'	26°	42' 2"	9,270	2,170	4,440			
	30'	58°	49' 2"	33,820*	12,000	18,280	80'	16°	29' 4"	8,400	1,830	3,950			
	35'	51°	45' 6"	28,230*	9,790	15,030	90'	20'	79°	95' 4"	52,500*	19,060	29,440		
	40'	43°	40' 9"	24,080	8,170	12,670		25'	76°	94' 3"	40,200*	13,940	21,790		
45'	33°	34' 5"	20,430	6,930	10,880	30'		73°	92' 10"	32,300*	10,720	17,020			
50'	21°	24' 6"	17,670	5,960	9,480	35'		69°	91' 1"	26,750*	8,500	13,770			
60'	15'	79°	65' 9"	71,200*	29,410	44,680		40'	66°	89' 0"	23,040	6,890	11,410		
	20'	74°	64' 6"	53,700*	20,030	30,380		45'	62°	86' 7"	19,360	5,650	9,620		
	25'	69°	62' 10"	41,400*	14,910	22,730		50'	59°	83' 9"	16,570	4,680	8,210		
	30'	64°	60' 7"	33,440*	11,680	17,970	55'	55°	80' 6"	14,400	3,900	7,080			
	35'	58°	57' 9"	27,860*	9,470	14,720	60'	51°	78' 8"	12,640	3,250	6,140			
	40'	52°	54' 4"	23,820	7,850	12,360	65'	47°	72' 4"	11,210	2,710	5,360			
	45'	46°	49' 11"	20,160	6,610	10,570	70'	42°	67' 2"	10,000	2,250	4,700			
70'	15'	80°	75' 11"	70,800*	29,090	44,370	75'	37°	61' 2"	8,980	1,850	4,130			
	20'	76°	74' 11"	53,300*	19,710	30,070	80'	31°	53' 9"	8,110	1,510	3,630			
	25'	72°	73' 5"	41,000*	14,590	22,420	85'	24°	44' 5"	7,340	1,210	3,190			
	30'	68°	71' 6"	33,060*	11,360	17,650	90'	15°	30' 7"	6,680	940	2,810			
	35'	63°	69' 3"	27,490*	9,150	14,400	100'	20'	80°	105' 6"	52,100*	18,740	29,130		
	40'	58°	66' 5"	23,560	7,530	12,040		25'	77°	104' 6"	39,800*	13,620	21,480		
	45'	53°	63' 0"	19,890	6,290	10,250		30'	74°	103' 3"	31,920*	10,400	16,710		
50'	48°	58' 11"	17,120	5,320	8,840	35'		71°	101' 9"	26,380*	8,180	13,460			
55'	42°	53' 11"	14,950	4,540	7,710	40'		68°	99' 11"	22,780	6,570	11,090			
60'	36°	47' 8"	13,210	3,890	6,780	45'		65°	97' 9"	19,090	5,330	9,300			
65'	28°	39' 9"	11,780	3,350	6,000	50'		62°	95' 3"	16,300	4,360	7,890			
70'	17°	27' 7"	10,580	2,890	5,330	55'	59°	92' 5"	14,120	3,580	6,760				
						60'	55°	89' 2"	12,360	2,930	5,830				
						65'	52°	85' 6"	10,920	2,390	5,040				
						70'	48°	81' 4"	9,720	1,930	4,380				
						75'	44°	76' 6"	8,690	1,530	3,810				
						80'	40°	70' 11"	7,810	1,190	3,310				
						85'	35°	64' 5"	7,050	890	2,880				
						90'	30°	56' 6"	6,380	620	2,490				
						95'	23°	46' 6"	5,790	380	2,150				
						100'	15°	31' 11"	5,260	160	1,840				

③ Lifting capacities shown are in pounds and are not more than 85% of minimum tipping loads with machine standing on firm level ground. A deduction must be made from the above lifting capacities for weight of hook block, hook, sling, grapple, etc.

④ The heavy duty retractable high gantry is standard on the HC-108A and is used with standard angle booms up to and including 100' and with optional tubular "Hi-Lite" booms up to and including 130'. Tubular booms over 130' also require the "Hi-Lite" boom gantry with mid-point suspension cables. The "Hi-Lite" boom gantry can also be purchased as optional extra for all tubular booms under 130'. (Reference to boom lengths is for main boom — use of optional 20', 30', 40' and 50' Jibs with these boom lengths will not affect the recommendations.)

\* These lifting capacities are based upon strength of material. See Note ③ regarding all other lifting capacities.

#### BRIEF SPECIFICATIONS LIFTING CRANE

Approximate working weight with 40' standard angle boom heavy duty retractable high gantry, gasoline engine, but no hook blocks ..... 81,860#

Swing Speed ..... 3.9 r.p.m.

Lagging ..... Line Pull ..... Line Speed

1 3/4" hoist (front) ..... 21,800 lbs. .... @ 139 f.p.m.

1 3/4" hoist (rear) ..... 21,200 lbs. .... @ 139 f.p.m.

GENERAL INFORMATION ONLY

# HC-108A LIFTING CAPACITIES<sup>③</sup> WITH RETRACTABLE HIGH GANTRY<sup>④</sup>

## 3-AXLE CARRIER

### TUBULAR "HI-LITE" BOOM

RECOMMENDED FOR LIFTING CRANE SERVICE ONLY

BOOM			W. Boom Point Height	WITH OUTRIGGERS		WITHOUT OUTRIGGERS		BOOM			W. Boom Point Height	WITH OUTRIGGERS		WITHOUT OUTRIGGERS	
Length	Radius	Angle		Side or Rear	Side	Rear	Length	Radius	Angle	Side or Rear		Side	Rear		
40'	12'	79°	44' 8"	80,000*	39,780	61,060	110'	25'	79°	113' 1"	39,400*	13,240	21,090		
	15'	74°	44' 0"	72,000*	29,220	44,480		30'	76°	112' 5"	31,540*	10,050	16,360		
	20'	67°	42' 2"	54,500*	19,890	30,240		35'	74°	111' 1"	26,620*	7,850	13,130		
	25'	59°	39' 7"	42,200*	14,800	22,620		40'	71°	109' 6"	22,490	6,250	10,780		
	30'	50°	36' 0"	34,200*	11,600	17,880		50'	65°	105' 6"	16,030	4,070	7,600		
	35'	39°	30' 10"	28,650*	9,390	14,640		60'	60°	100' 3"	12,100	2,660	5,550		
50'	40'	26°	23' 1"	23,740	7,780	12,290	70'	53°	93' 7"	9,460	1,660	4,110			
	12'	81°	54' 10"	80,000*	39,540	60,830	80'	46°	85' 1"	7,570	930	3,050			
	15'	77°	54' 3"	71,600*	28,990	44,250	90'	39°	74' 1"	6,140	360	2,240			
	20'	71°	52' 11"	54,100*	19,660	30,020	100'	29°	59' 4"	5,020	-----	1,590			
	25'	65°	50' 11"	41,800*	14,580	22,400	110'	16°	35' 2"	4,130	-----	1,070			
	30'	59°	48' 3"	33,820*	11,380	17,660	120'	25'	80°	123' 8"	39,000*	13,020	20,870		
35'	52°	44' 9"	28,360*	9,170	14,430	30'		78°	122' 8"	31,160*	9,830	16,140			
40'	44°	40' 3"	23,560	7,570	12,080	35'		75°	121' 5"	26,330*	7,630	12,910			
50'	23°	25' 3"	17,150	5,380	8,890	40'		73°	120' 0"	22,310	6,030	10,560			
15'	80°	64' 6"	71,200*	28,750	44,030	50'		68°	116' 4"	15,840	3,850	7,390			
20'	75°	63' 4"	53,700*	19,440	29,800	60'		62°	111' 8"	11,910	2,440	5,330			
25'	70°	61' 9"	41,400*	14,350	22,180	70'	57°	105' 9"	9,270	1,450	3,900				
30'	64°	59' 7"	33,440*	11,150	17,440	80'	51°	98' 5"	7,370	710	2,840				
35'	59°	56' 11"	28,070*	8,950	14,210	90'	44°	89' 3"	5,940	150	2,020				
40'	53°	53' 7"	23,380	7,350	11,860	100'	37°	77' 7"	4,820	-----	1,380				
50'	40°	44' 2"	16,960	5,160	8,680	110'	28°	61' 11"	3,930	-----	850				
60'	21°	27' 3"	13,060	3,740	6,620	120'	15°	36' 6"	3,190	-----	420				
70'	15'	81°	74' 7"	70,800*	28,520	43,810	130'	25'	81°	133' 10"	38,600*	12,790	20,660		
	20'	77°	73' 8"	53,300*	19,210	29,580		30'	79°	132' 10"	30,780*	9,610	15,920		
	25'	73°	72' 4"	41,000*	14,130	21,970		35'	76°	131' 9"	26,040*	7,410	12,690		
	30'	68°	70' 6"	33,060*	10,930	17,230		40'	74°	130' 5"	22,130	5,810	10,350		
	35'	64°	68' 4"	27,780*	8,730	13,990		50'	69°	127' 2"	15,650	3,640	7,170		
	40'	59°	65' 7"	23,200	7,130	11,640		60'	65°	122' 10"	11,720	2,220	5,120		
50'	49°	58' 4"	16,780	4,940	8,460	70'	60°	117' 7"	9,070	1,230	3,680				
60'	37°	47' 7"	12,870	3,520	6,410	80'	54°	111' 0"	7,170	500	2,620				
70'	20°	29' 1"	10,240	2,530	4,970	90'	49°	103' 1"	5,740	-----	1,810				
80'	20'	79°	83' 11"	52,000*	18,990	29,360	100'	43°	93' 3"	4,620	-----	1,160			
	25'	75°	82' 9"	40,600*	13,910	21,750	110'	35°	80' 10"	3,730	-----	640			
	30'	71°	81' 2"	32,680*	10,710	17,010	120'	27°	64' 4"	2,990	-----	200			
	35'	67°	79' 3"	27,490*	8,510	13,780	130'	16°	37' 10"	2,380	-----	-----			
	40'	63°	77' 0"	23,020	6,910	11,430	140'	30'	79°	143' 1"	30,400*	9,380	15,710		
	50'	55°	71' 0"	16,590	4,720	8,250		40'	75°	140' 10"	21,950	5,600	10,130		
60'	46°	62' 9"	12,680	3,310	6,190	50'		71°	137' 9"	15,470	3,420	6,960			
70'	35°	50' 10"	10,050	2,310	4,760	60'		67°	133' 10"	11,520	2,010	4,900			
80'	18°	30' 9"	8,160	1,570	3,690	70'		62°	129' 0"	8,870	1,010	3,470			
20'	80°	94' 1"	52,500*	18,760	29,140	80'		57°	124' 0"	6,970	280	2,410			
25'	77°	92' 0"	40,200*	13,690	21,530	100'	47°	107' 6"	4,420	-----	950				
30'	73°	91' 8"	32,300*	10,490	16,790	120'	34°	84' 0"	2,790	-----	-----				
35'	70°	90' 0"	27,200*	8,290	13,560	130'	26°	66' 8"	2,170	-----	-----				
40'	67°	88' 0"	22,850	6,690	11,210	140'	14°	39' 1"	1,650	-----	-----				
50'	59°	82' 11"	16,400	4,510	8,030	150'	30'	80°	153' 3"	30,000*	9,160	15,490			
60'	52°	76' 0"	12,480	3,090	5,980		40'	76°	151' 2"	21,770	5,380	9,920			
70'	43°	66' 9"	9,850	2,090	4,540		50'	72°	148' 4"	15,280	3,200	6,740			
80'	33°	53' 10"	7,960	1,360	3,480		60'	68°	144' 8"	11,330	1,790	4,690			
90'	17°	32' 3"	6,540	790	2,660		70'	64°	140' 3"	8,680	800	3,260			
20'	81°	104' 3"	52,100*	18,530	28,920		80'	60°	134' 10"	6,770	70	2,200			
25'	78°	103' 3"	39,800*	13,460	21,310	100'	50°	120' 10"	4,220	-----	740				
30'	75°	102' 1"	31,920*	10,270	16,570	120'	39°	100' 8"	2,590	-----	-----				
35'	72°	100' 7"	26,910*	8,070	13,340	130'	33°	87' 0"	1,970	-----	-----				
40'	69°	98' 10"	22,670	6,470	11,000	140'	25°	68' 11"	1,450	-----	-----				
50'	63°	94' 4"	16,210	4,290	7,820	150'	13°	40' 3"	1,000	-----	-----				
60'	56°	88' 5"	12,290	2,870	5,760										
70'	49°	80' 8"	9,660	1,880	4,330										
80'	41°	70' 7"	7,760	1,140	3,270										
90'	31°	56' 8"	6,340	580	2,450										
100'	16°	33' 9"	5,220	130	1,800										

GENERAL INFORMATION ONLY

MAXIMUM BOOM LENGTHS		
Machine Can Handle Without Assistance		
	Angle Boom	Tubular Boom
Max. boom machine can pick clear of ground over rear and travel <sup>⑤</sup> .....	100'	110'
Max. boom plus jib machine can pick clear of ground over rear and travel <sup>⑤</sup> .....	90' + 40' jib	80' + 50' jib
① Max. boom machine can pick off ground on outriggers, over rear.....	100'	150'
..... over side.....	100'	150'
Max. boom plus jib machine can pick off ground on outriggers, over rear.....	100' + 40' jib	140' + 50' jib
..... over side.....	100' + 40' jib	130' + 50' jib

⑤ Max. travel speed 5 m.p.h.

We are constantly improving our products and therefore reserve the right to change designs and specifications.

For certified dimensions, consult factory —

**LINK-BELT  
SPEEDER**

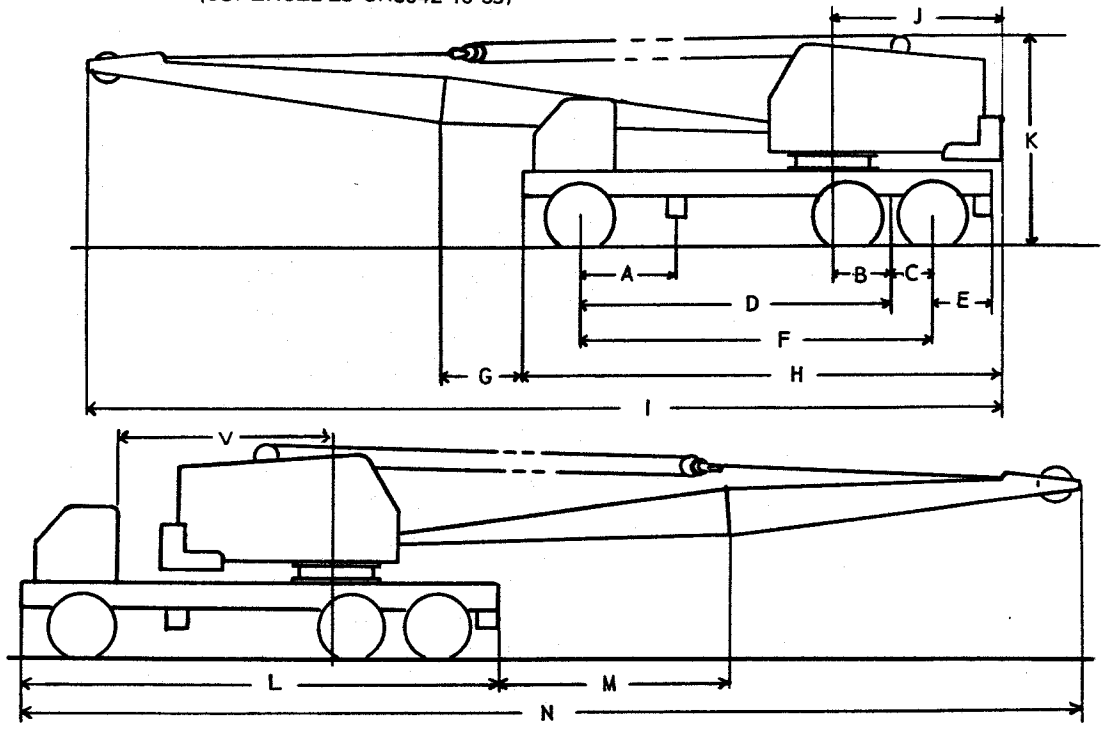
**HC-108A 3-AXLE CARRIER AXLE LOADING CHART  
(10' 3" AXLE)**

(SUPERSEDES CR5042-10-59)

**INDEX TO ILLUSTRATIONS**

**Dimensions:**

- A - 6' 4"
  - B - 3' 6"
  - C - 2' 5"
  - D - 18' 9" Wheelbase
  - E - 3' 5"
  - F - 21' 2"
  - G - 4' 0" ①
  - G - 4' 11" ②
  - H - 30' 7"
  - I - 55' 7" ①
  - I - 56' 6" ②
  - J - 11' 5"
  - K - 13' 0" Lowered ③
  - K - 18' 6" Lowered ④
  - L - 28' 6"
  - M - 13' 10" ①
  - M - 14' 9" ②
  - N - 63' 4" ①
  - N - 64' 3" ②
  - V - 13' 0"
- Over-all width - 10'3"



- ① Equipped with 40' Angle Boom
- ② Equipped with 40' Tubular "Hi-Lite" Boom
- ③ Over-all Height Retractable Gantry
- ④ Over-all Height "Hi-Lite" Boom Gantry

**BASIC REMOVABLE COMPONENTS:**

- (1) Removable Counterweight - 18,400#
- (2) 40' Angle Boom - 4,400#
- (3) 40' Tubular "Hi-Lite" Boom - 5,770#
- (4) Rear Outrigger Box with Beams - 3,490#
- (5) Rear Outrigger Beams only - 1,490#
- (6) Front Outrigger Box with Beams - 2,740#
- (7) Front Outrigger Beams only - 1,490#

**GENERAL INFORMATION ONLY**

MACHINE SET-UP	TOTAL WEIGHT	AXLE LOADINGS IN POUNDS			
		UPPER FACING FRONT		UPPER FACING REAR	
		FRONT	REAR	FRONT	REAR
Complete with Angle Boom*	81,920#	14,150#	67,770#	29,400#	52,520#
With (1) removed	63,520	20,230	43,290	16,450	47,070
With (2) removed	77,520	7,900	69,620	34,000	43,520
With (4) removed	78,430	15,140	63,290	30,390	48,040
With (5) removed	80,430	14,590	65,840	29,840	50,590
With (6) removed	79,180	12,330	66,850	27,580	51,600
With (7) removed	80,430	13,160	67,270	28,410	52,020
With (1) (2) removed	59,120	13,980	45,140	21,050	38,070
With (1) (2) (4) removed	55,630	14,970	40,660	22,040	33,590
With (1) (2) (4) (6) removed	52,890	13,150	39,740	20,220	32,670
With (1) (2) (4) (7) removed	54,140	13,980	40,160	21,050	33,090
With (1) (2) (5) (7) removed	56,140	13,430	42,710	20,500	35,640
With (1) (2) (5) (6) removed	54,890	12,600	42,290	19,670	35,220
With (1) (4) removed	60,030	21,220	38,810	17,440	42,590
With (1) (4) (6) removed	57,290	19,400	37,890	15,620	41,670
With (1) (4) (7) removed	58,540	20,230	38,310	16,450	42,090
With (1) (5) (7) removed	60,540	19,680	40,860	15,900	44,640
With (1) (5) (6) removed	59,290	18,850	40,440	15,070	44,220
With (1) (5) removed	62,030	20,670	41,360	16,890	45,140
With (1) (6) removed	60,780	18,410	42,370	14,630	46,150
With (1) (7) removed	62,030	19,240	42,790	15,460	46,570
With (2) (4) removed	74,030	8,890	65,140	34,990	39,040
With (2) (4) (6) removed	71,290	7,070	64,220	33,170	38,120
With (2) (4) (7) removed	72,540	7,900	64,640	34,000	38,540
With (2) (5) (6) removed	74,780	7,510	67,270	33,610	41,170
With (4) (7) removed	76,940	14,150	62,790	29,400	47,540
With (5) (6) removed	77,690	12,770	64,920	28,020	49,670
With (5) (7) removed	78,940	13,600	65,340	28,850	50,090

\* Complete machine includes UPPER WORKS, CARRIER, AND CRANE ATTACHMENT as described in these three sections in the current HC-108A price list.

*NB60-65 7-26-60*

MACHINE SET-UP	TOTAL WEIGHT	AXLE LOADINGS IN POUNDS			
		UPPER FACING FRONT		UPPER FACING REAR	
		FRONT	REAR	FRONT	REAR
Complete with "Hi-Lite" Boom* .....	83,290#	15,810#	67,480#	28,240#	55,050#
With (1) removed .....	64,890	21,890	43,000	15,290	49,600
With (3) removed .....	77,520	7,900	69,620	34,000	43,520
With (4) removed .....	79,800	16,800	63,000	29,230	50,570
With (5) removed .....	81,800	16,250	65,550	28,680	53,120
With (6) removed .....	80,550	13,990	66,560	26,420	54,130
With (7) removed .....	81,800	14,820	66,980	27,250	54,550
With (1) (3) removed .....	59,120	13,980	45,140	21,050	38,070
With (1) (3) (4) removed .....	55,630	14,970	40,660	22,040	33,590
With (1) (3) (4) (6) removed .....	52,890	13,150	39,740	20,220	32,670
With (1) (3) (4) (7) removed .....	54,140	13,980	40,160	21,050	33,090
With (1) (3) (5) (7) removed .....	56,140	13,430	42,710	20,500	35,640
With (1) (3) (5) (6) removed .....	54,890	12,600	42,290	19,670	35,220
With (1) (4) removed .....	61,400	22,880	38,520	16,280	45,120
With (1) (4) (6) removed .....	58,660	21,060	37,600	14,460	44,200
With (1) (4) (7) removed .....	59,910	21,890	38,020	15,290	44,620
With (1) (5) (7) removed .....	61,910	21,340	40,570	14,740	47,170
With (1) (5) (6) removed .....	60,660	20,510	40,150	13,910	46,750
With (1) (5) removed .....	63,400	22,300	41,070	15,730	47,670
With (1) (6) removed .....	62,150	20,070	42,080	13,470	48,680
With (1) (7) removed .....	63,400	20,900	42,500	14,300	49,100
With (3) (4) removed .....	74,030	8,890	65,140	34,990	39,040
With (3) (4) (6) removed .....	71,290	7,070	64,220	33,170	38,120
With (3) (4) (7) removed .....	72,540	7,900	64,640	34,000	38,540
With (3) (5) (6) removed .....	74,780	7,510	67,270	33,610	41,170
With (4) (7) removed .....	78,310	15,810	62,500	28,240	50,070
With (5) (6) removed .....	79,060	14,430	64,630	26,860	52,200
With (5) (7) removed .....	80,310	15,260	65,050	27,690	52,620

\* Complete machine includes UPPER WORKS, CARRIER, and CRANE ATTACHMENT as described in these sections in the current HC-108A price list.

If the machine is not set-up as the complete standard machine described in the preceding note, please add the following weights for this optional equipment.

OPTIONAL EQUIPMENT WHICH CHANGES WEIGHT OF STANDARD MACHINE	WEIGHTS TO BE ADDED TO OR DEDUCTED FROM AXLE LOADINGS				
	ITEM WEIGHT	UPPER FACING FRONT		UPPER FACING REAR	
		FRONT	REAR	FRONT	REAR
Front Drum Reversing Clutch .....	+ 400	+ 60	+ 340	+ 100	+ 300
Rear Drum Reversing Clutch .....	+ 500	+ 10	+ 490	+ 180	+ 320
Third Drum - Complete .....	+ 850	+ 210	+ 640	+ 120	+ 730
"Hi-Lite" Boom Gantry .....	+ 1,100	+ 1,030	+ 70	- 620	+ 1,720
Pontoons (Set of four) .....	+ 300	+ 150	+ 150	+ 150	+ 150
Pontoon Jacks (Set of four) .....	+ 600	+ 100	+ 500	+ 100	+ 500

NOTE: Due to variances in weights of castings and fabrications, and because the weights used are based on computations, these axle loadings should be considered approximate.

## LINK-BELT SPEEDER

Link-Belt Speeder Corp.  
Cedar Rapids, Iowa

Link-Belt Speeder (Canada), Ltd.  
Woodstock, Ontario

GENERAL INFORMATION ONLY

PRINTED IN U.S.A.